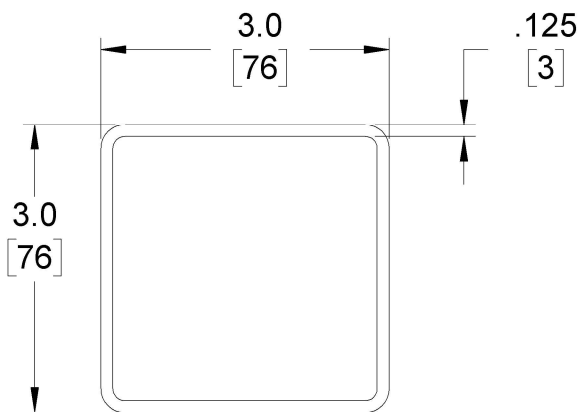
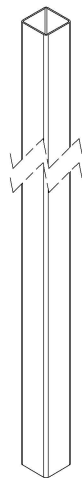
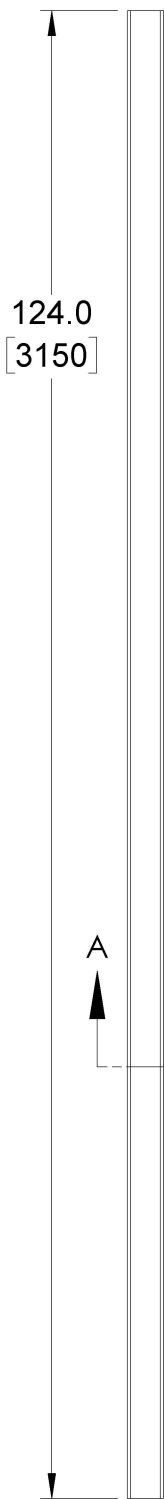


ITEM NO.	PART NUMBER	MATERIAL	QTY.
1	BOARD CUT-84	84" X 5/8" X 2.75" WOOD PICKETS	4
2	BOARD FULL-84	84" X 5/8" X .5"	46
3	POST = 3" X 3" X 124" L	6005A ALUMINUM 1/8" WALL, POWDER COATED BLACK	3
4	410 STAINLESS STEEL SELF DRILLING SCREW, #10 X 5/8" PAN HEAD WITH #2 PHILLIPS DRIVE HEAD	410 STAINLESS STEEL	24
5	410 STAINLESS STEEL COATED BLACK, 5/16" X 1.75", SQUARE NECK CARRIAGE BOLT	410 STAINLESS STEEL	8
6	410 STAINLESS STEEL WOOD SCREW COATED BLACK MAGNI, #8 X 3/4", PAN HEAD WITH #2 PHILLIPS DRIVE	410 STAINLESS STEEL	228
7	HEX FLANGE NUT ISO - 4161 - M - N	410 STAINLESS STEEL	8
8	V-BRACKET	ALUMINUM 1/8" WALL, POWDER COATED BLACK	8
9	VERTICAL STRINGER-92" X 3" X 1.5"	6061 ALUMINUM 1/8" WALL, POWDER COATED BLACK	4
10	LUMBER-BOARD-SUPPORT	STEEL, A36	4
11	2X4X92-75 BOARD	BOARD, 2" X 4" X 92 3/4"	2

<p><b>PROPRIETARY AND CONFIDENTIAL</b></p> <p>THE INFORMATION CONTAINED IN THIS DRAWING IS THE SOLE PROPERTY OF TAHOE SLIPFENCE. ANY REPRODUCTION IN PART OR AS A WHOLE WITHOUT THE WRITTEN PERMISSION OF TAHOE SLIPFENCE IS PROHIBITED.</p>			<p>DIMENSIONS ARE IN INCHES TOLERANCES: FRACTIONAL ± ANGULAR: MACH ± BEND ± TWO PLACE DECIMAL ± THREE PLACE DECIMAL ±</p>			<p>NAME: TRASER DESIGN INC. DATE:</p>		<p>Tahoe Products Group Inc. Oakville, ON Phone: 1-866-336-2340 WWW.SLIPFENCE.COM</p>
	NEXT ASSY	USED ON	MATERIAL					
			FINISH					
	APPLICATION		DO NOT SCALE DRAWING					



SECTION A-A  
SCALE 1 : 2

**PROPRIETARY AND CONFIDENTIAL**  
THE INFORMATION CONTAINED IN THIS DRAWING IS THE SOLE PROPERTY OF TAHOE SLIPFENCE. ANY REPRODUCTION IN PART OR AS A WHOLE WITHOUT THE WRITTEN PERMISSION OF TAHOE SLIPFENCE IS PROHIBITED.

		DIMENSIONS ARE IN INCHES TOLERANCES: FRACTIONAL ± ANGULAR: MACH ± BEND ± TWO PLACE DECIMAL ± THREE PLACE DECIMAL ±			
		MATERIAL 6005A ALUMINUM 1/8" WALL, POWDER COATED BLACK			
NEXT ASSY	USED ON	FINISH			
APPLICATION		DO NOT SCALE DRAWING			

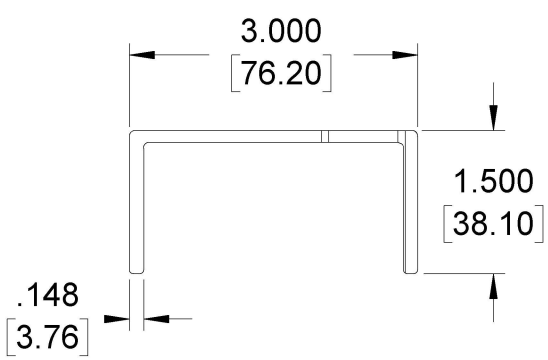
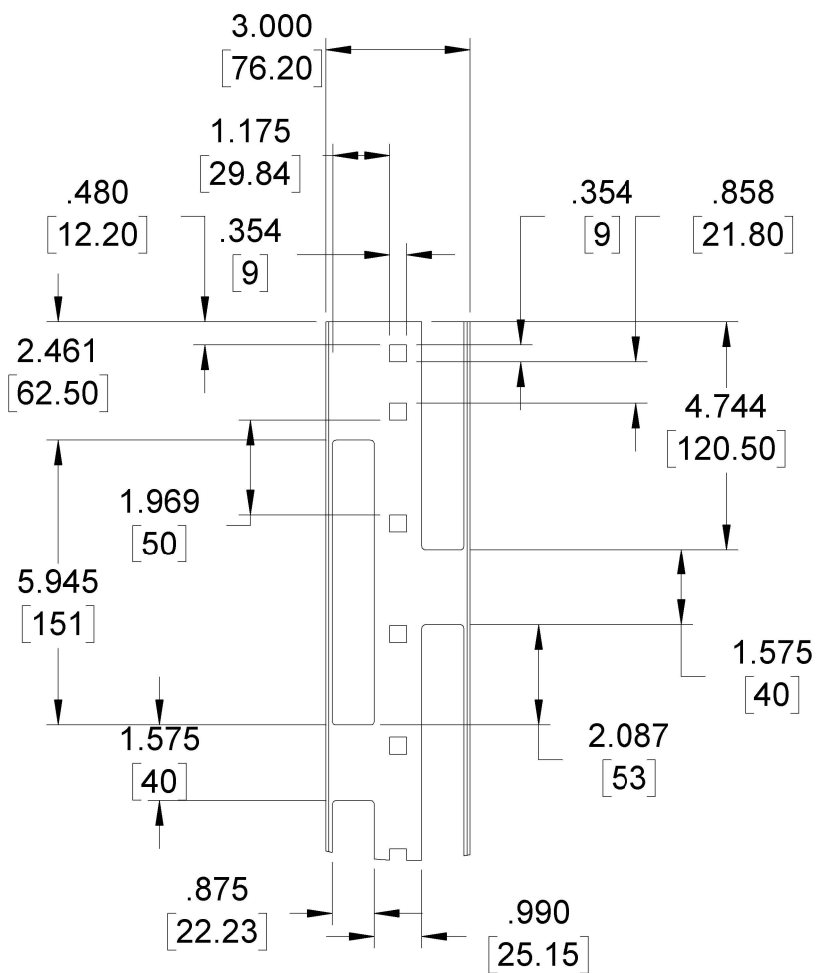
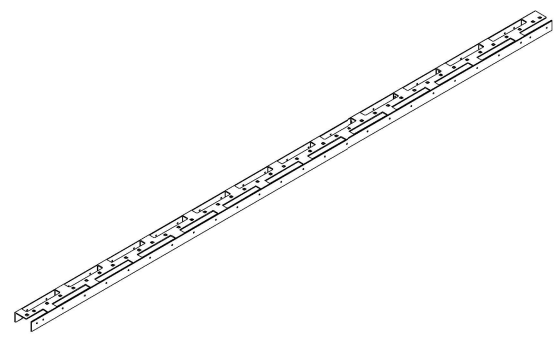
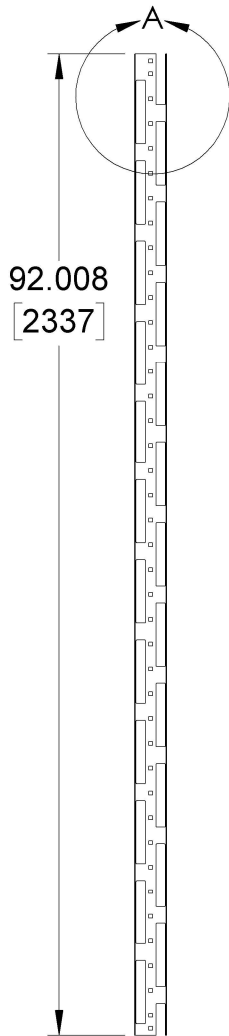
	NAME	DATE
DRAWN	TRASER DESIGN INC.	
CHECKED		
ENG APPR.		
MFG APPR.		
Q.A.		
COMMENTS:		

Tahoe Products Group Inc.  
Oakville, ON  
Phone: 1-866-336-2340  
WWW.SLIPFENCE.COM

**SLIPFENCE**

## 3" VERTICAL POST

SIZE	DWG. NO.	REV.
<b>A</b>	<b>TSF-7FT-RES-VERT-SPEC</b>	
SCALE: 1:32	WEIGHT:	SHEET 2 OF 12



SCALE 1:2

DETAIL A  
SCALE 1 : 4

**PROPRIETARY AND CONFIDENTIAL**  
THE INFORMATION CONTAINED IN THIS DRAWING IS THE SOLE PROPERTY OF TAHOE SLIPFENCE. ANY REPRODUCTION IN PART OR AS A WHOLE WITHOUT THE WRITTEN PERMISSION OF TAHOE SLIPFENCE IS PROHIBITED.

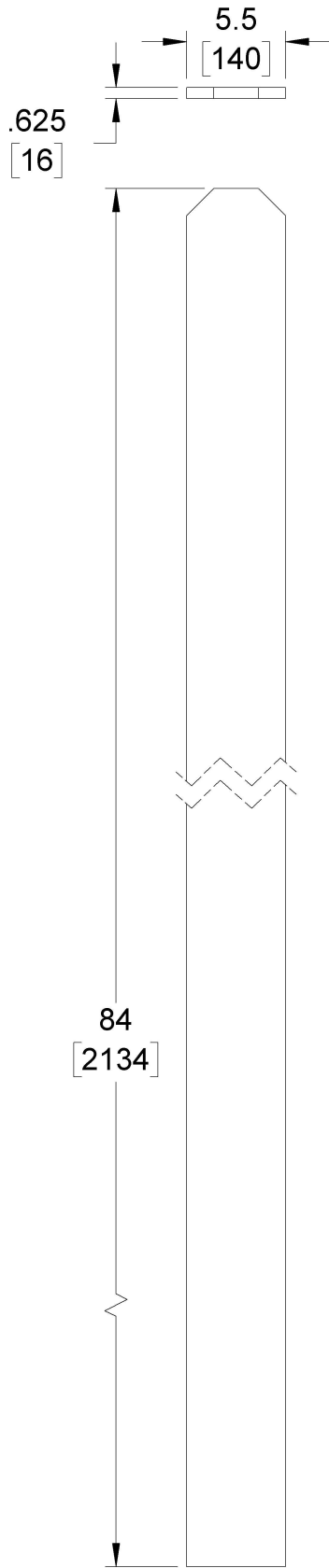
		DIMENSIONS ARE IN INCHES TOLERANCES: FRACTIONAL ± ANGULAR: MACH ± BEND ± TWO PLACE DECIMAL ± THREE PLACE DECIMAL ±		NAME	DATE
			DRAWN	TRASER DESIGN INC.	
			CHECKED		
			ENG APPR.		
			MFG APPR.		
			Q.A.		
			COMMENTS:		
		MATERIAL 6061 ALUMINUM 1/8" WALL POWDER COATED BLACK			
		FINISH 2604 SUPER DURABLE POWDER COATING			
NEXT ASSY	USED ON				
APPLICATION		DO NOT SCALE DRAWING			



Tahoe Products Group Inc.  
Oakville, ON  
Phone: 1-866-336-2340  
WWW.SLIPFENCE.COM

# STRINGER 92"

SIZE	DWG. NO.	REV.
A	TSF-7FT-RES-VERT-SPEC	
SCALE: 1:18	WEIGHT:	SHEET 3 OF 12



		DIMENSIONS ARE IN INCHES TOLERANCES: FRACTIONAL ± ANGULAR: MACH ± BEND ± TWO PLACE DECIMAL ± THREE PLACE DECIMAL ±		NAME	DATE
			DRAWN	TRASER DESIGN INC.	
			CHECKED		
			ENG APPR.		
			MFG APPR.		
		MATERIAL	Q.A.		
		84" X 5/8" X .5"	COMMENTS:		
		FINISH			
NEXT ASSY	USED ON	APPLICATION	DO NOT SCALE DRAWING		



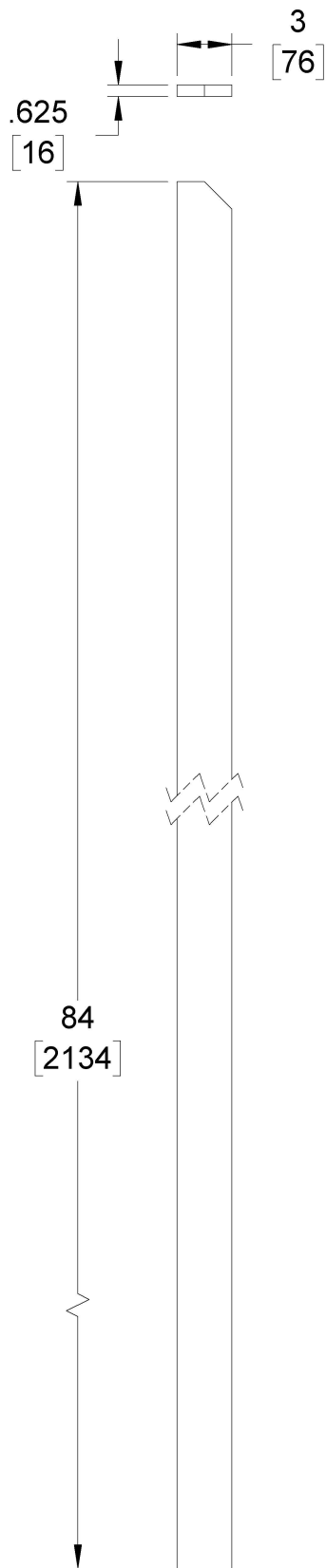
Tahoe Products Group Inc.  
Oakville, ON  
Phone: 1-866-336-2340  
WWW.SLIPFENCE.COM

# BOARD FULL-84"

**PROPRIETARY AND CONFIDENTIAL**  
THE INFORMATION CONTAINED IN THIS DRAWING IS THE SOLE PROPERTY OF TAHOE SLIPFENCE. ANY REPRODUCTION IN PART OR AS A WHOLE WITHOUT THE WRITTEN PERMISSION OF TAHOE SLIPFENCE IS PROHIBITED.

SIZE	DWG. NO.	REV.
<b>A</b>	TSF-7FT-RES-VERT-SPEC	
SCALE: 1:10	WEIGHT:	SHEET 4 OF 12





**PROPRIETARY AND CONFIDENTIAL**

THE INFORMATION CONTAINED IN THIS DRAWING IS THE SOLE PROPERTY OF TAHOE SLIPFENCE. ANY REPRODUCTION IN PART OR AS A WHOLE WITHOUT THE WRITTEN PERMISSION OF TAHOE SLIPFENCE IS PROHIBITED.

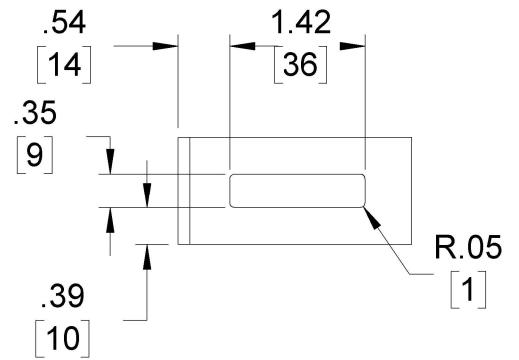
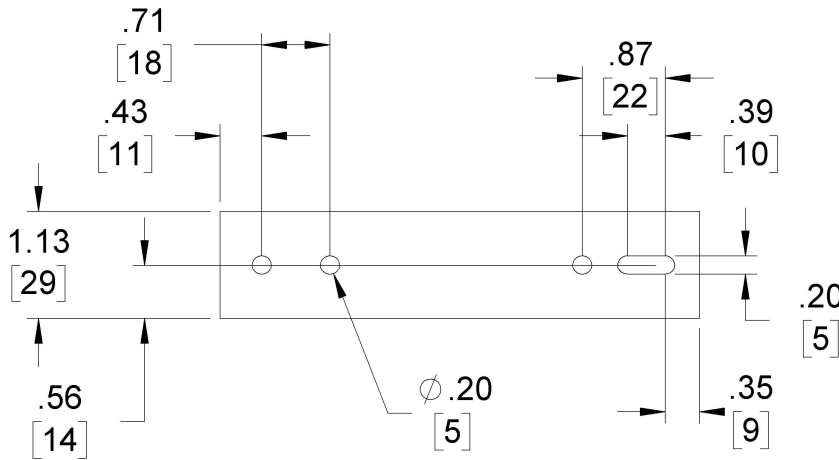
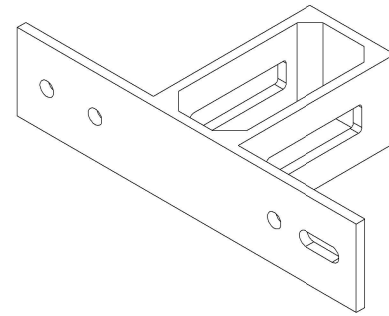
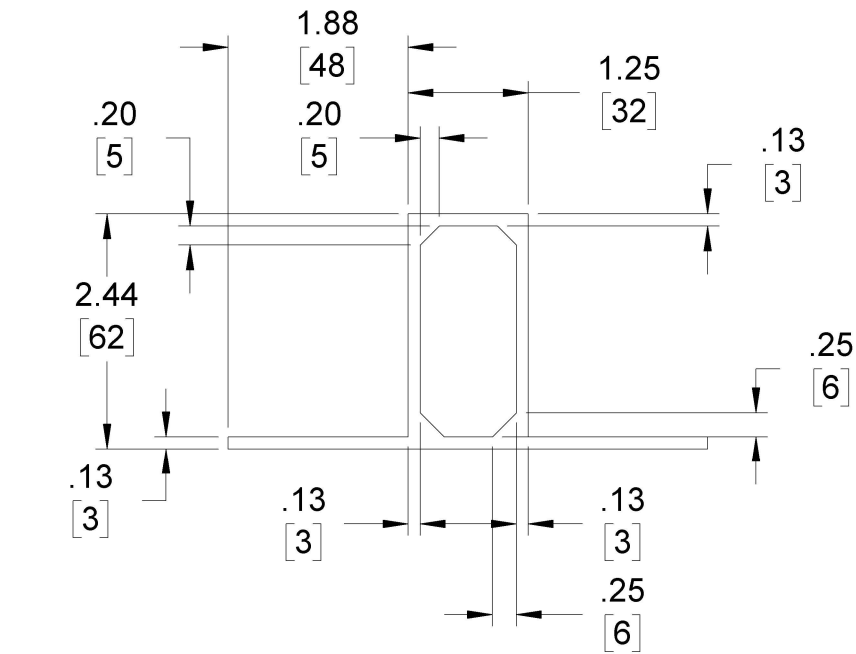
		DIMENSIONS ARE IN INCHES TOLERANCES: FRACTIONAL ± ANGULAR: MACH ± BEND ± TWO PLACE DECIMAL ± THREE PLACE DECIMAL ±		NAME	DATE
		MATERIAL 84" X 5/8" X 2.75" WOOD PICKETS		TRASER DESIGN INC.	
NEXT ASSY	USED ON	FINISH		CHECKED	
APPLICATION		DO NOT SCALE DRAWING		ENG APPR.	
				MFG APPR.	
				Q.A.	
				COMMENTS:	



Tahoe Products Group Inc.  
Oakville, ON  
Phone: 1-866-336-2340  
WWW.SLIPFENCE.COM

**BOARD CUT-84"**

SIZE	DWG. NO.	REV.
<b>A</b>	<b>TSF-7FT-RES-VERT-SPEC</b>	
SCALE: 1:10	WEIGHT:	SHEET 5 OF 12



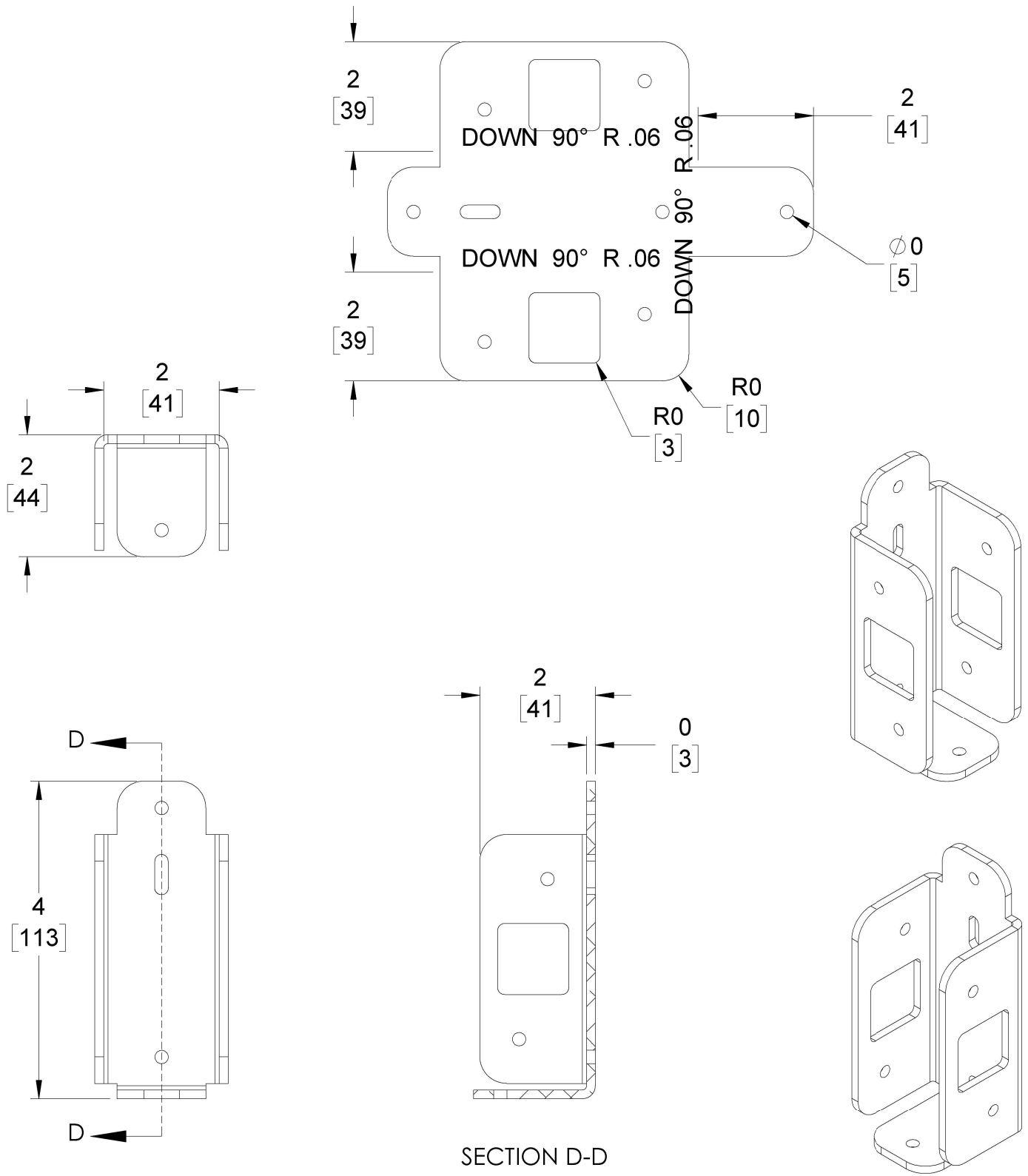
DIE # AH-73733, DWG # F1446  
 QV004, ALLOY 601-T6  
 CUS CODE: F1446

**PROPRIETARY AND CONFIDENTIAL**  
 THE INFORMATION CONTAINED IN THIS DRAWING IS THE SOLE PROPERTY OF TAHOE SLIPFENCE. ANY REPRODUCTION IN PART OR AS A WHOLE WITHOUT THE WRITTEN PERMISSION OF TAHOE SLIPFENCE IS PROHIBITED.

		DIMENSIONS ARE IN INCHES TOLERANCES: FRACTIONAL ± ANGULAR: MACH ± BEND ± TWO PLACE DECIMAL ± THREE PLACE DECIMAL ±			
		MATERIAL ALUMINUM 1/8" WALL POWDER COATED BLACK			
		FINISH POWDER COAT BLACK			
NEXT ASSY	USED ON				
APPLICATION		DO NOT SCALE DRAWING			

	NAME	DATE
DRAWN	TRASER DESIGN INC.	
CHECKED		
ENG APPR.		
MFG APPR.		
Q.A.		
COMMENTS:		

		Tahoe Products Group Inc. Oakville, ON Phone: 1-866-336-2340 WWW.SLIPFENCE.COM	
		<h1>V-BRACKET</h1>	
SIZE	DWG. NO.	REV.	
<b>A</b>	<b>TSF-7FT-RES-VERT-SPEC</b>		
SCALE: 1:2	WEIGHT:	SHEET 6 OF 12	



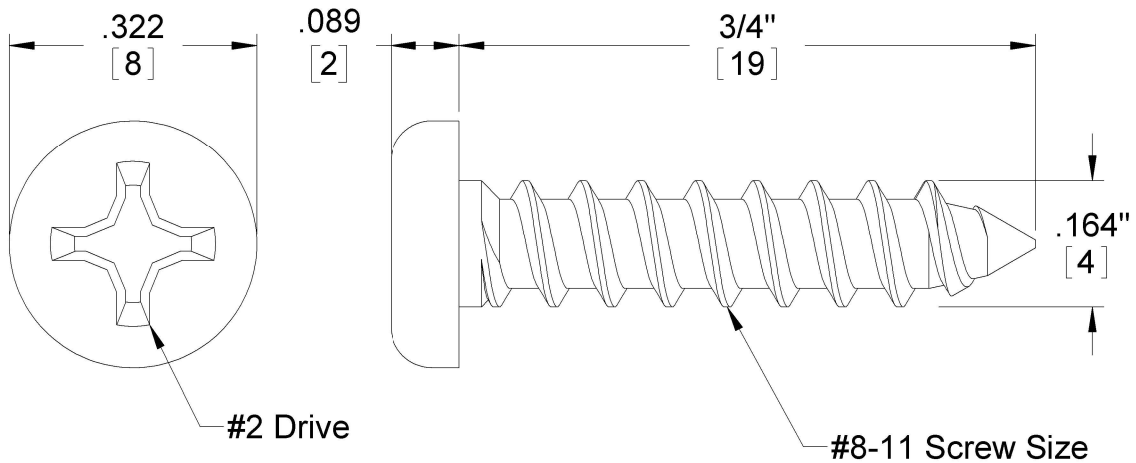
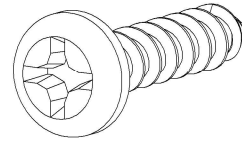
**PROPRIETARY AND CONFIDENTIAL**

THE INFORMATION CONTAINED IN THIS DRAWING IS THE SOLE PROPERTY OF TAHOE SLIPFENCE. ANY REPRODUCTION IN PART OR AS A WHOLE WITHOUT THE WRITTEN PERMISSION OF TAHOE SLIPFENCE IS PROHIBITED.

		DIMENSIONS ARE IN INCHES TOLERANCES: FRACTIONAL ± ANGULAR: MACH ± BEND ± TWO PLACE DECIMAL ± THREE PLACE DECIMAL ±		NAME	DATE
				TRASER DESIGN INC.	
				CHECKED	
				ENG APPR.	
				MFG APPR.	
				Q.A.	
				COMMENTS:	
		MATERIAL STEEL, A36			
		FINISH POWDER COAT BLACK			
NEXT ASSY	USED ON				
APPLICATION		DO NOT SCALE DRAWING			

**SLIPFENCE** Tahoe Products Group Inc.  
Oakville, ON  
Phone: 1-866-335-2340  
WWW.SLIPFENCE.COM

SCALE: 1:2 | DWG. NO. **A** | TSF-7FT-RES-VERT-SPEC | WEIGHT: | REV. | SHEET 7 OF 12



#2 Drive

#8-11 Screw Size

**PROPRIETARY AND CONFIDENTIAL**

THE INFORMATION CONTAINED IN THIS DRAWING IS THE SOLE PROPERTY OF TAHOE SLIPFENCE. ANY REPRODUCTION IN PART OR AS A WHOLE WITHOUT THE WRITTEN PERMISSION OF TAHOE SLIPFENCE IS PROHIBITED.

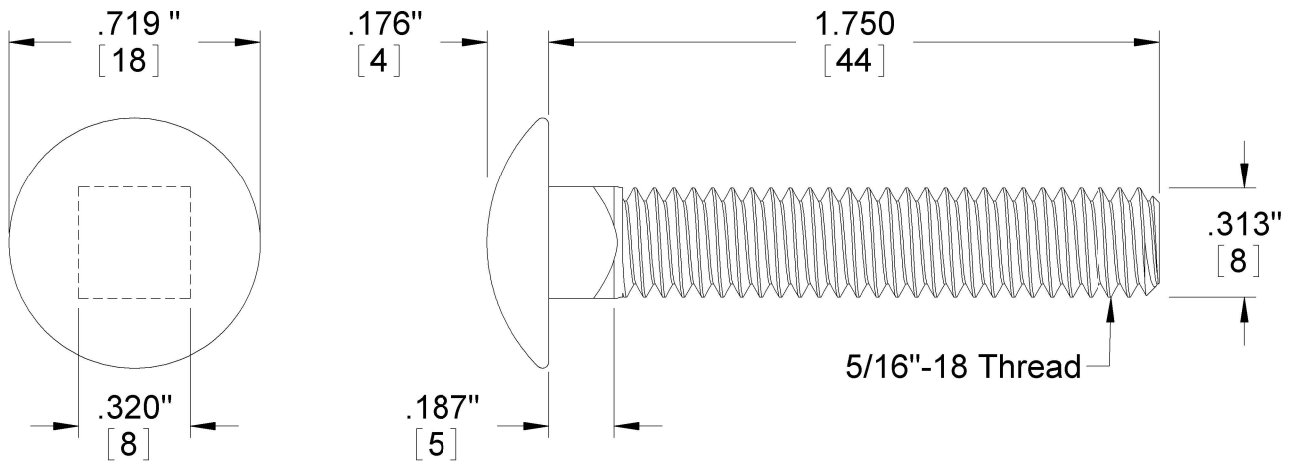
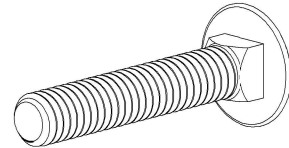
			DIMENSIONS ARE IN INCHES TOLERANCES: FRACTIONAL ± ANGULAR: MACH ± BEND ± TWO PLACE DECIMAL ± THREE PLACE DECIMAL ±		NAME	DATE
					TRASER DESIGN INC.	
					CHECKED	
					ENG APPR.	
					MFG APPR.	
					Q.A.	
					COMMENTS:	
			MATERIAL 410 STAINLESS STEEL			
			FINISH BLACK MAGNI			
	NEXT ASSY	USED ON				
	APPLICATION		DO NOT SCALE DRAWING			



Tahoe Products Group Inc.  
Oakville, ON  
Phone: 1-866-336-2340  
WWW.SLIPFENCE.COM

#8 x 3/4" Deep Thread Wood  
Screws / #2 Phillips / Pan Head  
/ Type 17 Pt / 410 Stainless Steel

SIZE	DWG. NO.	REV.
A	TSF-7FT-RES-VERT-SPEC	
SCALE:4:1	WEIGHT:	SHEET 8 OF 12



**PROPRIETARY AND CONFIDENTIAL**  
 THE INFORMATION CONTAINED IN THIS DRAWING IS THE SOLE PROPERTY OF TAHOE SLIPFENCE. ANY REPRODUCTION IN PART OR AS A WHOLE WITHOUT THE WRITTEN PERMISSION OF TAHOE SLIPFENCE IS PROHIBITED.

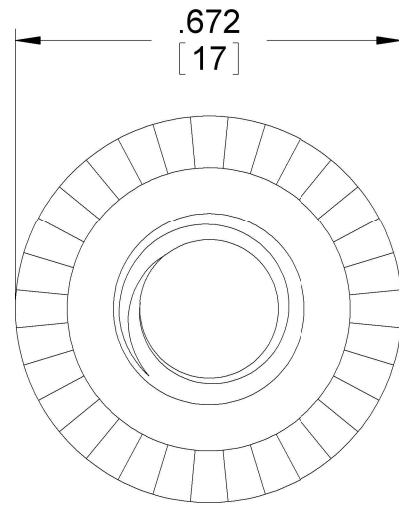
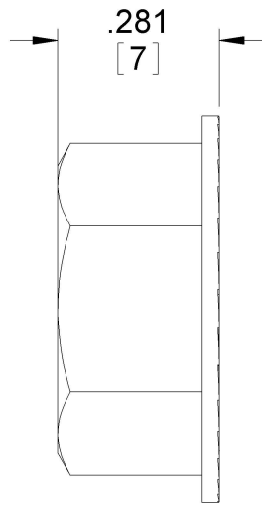
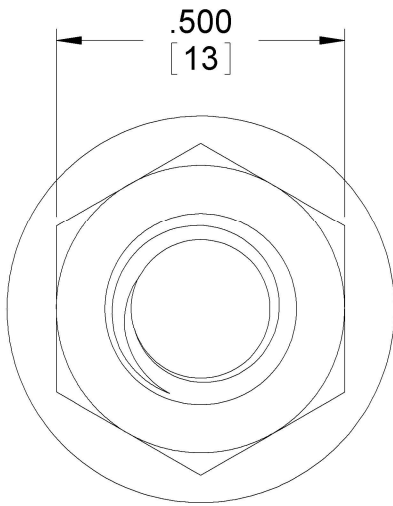
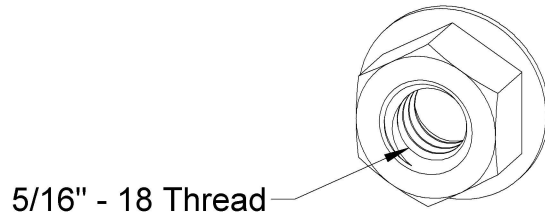
		DIMENSIONS ARE IN INCHES TOLERANCES: FRACTIONAL ± ANGULAR: MACH ± BEND ± TWO PLACE DECIMAL ± THREE PLACE DECIMAL ±		NAME	DATE
			DRAWN	TRASER DESIGN INC.	
			CHECKED		
			ENG APPR.		
		MATERIAL		MFG APPR.	
		410 STAINLESS STEEL		Q.A.	
		FINISH	COMMENTS:		
		COATED BLACK			
NEXT ASSY	USED ON	APPLICATION	DO NOT SCALE DRAWING		



Tahoe Products Group Inc.  
 Oakville, ON  
 Phone: 1-866-335-2340  
 WWW.SLIPFENCE.COM

5/16-18 x 1 3/4" Carriage Bolts  
 / 410 Stainless Steel

SIZE	DWG. NO.	REV.
<b>A</b>	<b>TSF-7FT-RES-VERT-SPEC</b>	
SCALE: 1:0.55	WEIGHT:	SHEET 9 OF 12



**PROPRIETARY AND CONFIDENTIAL**

THE INFORMATION CONTAINED IN THIS DRAWING IS THE SOLE PROPERTY OF TAHOE SLIPFENCE. ANY REPRODUCTION IN PART OR AS A WHOLE WITHOUT THE WRITTEN PERMISSION OF TAHOE SLIPFENCE IS PROHIBITED.

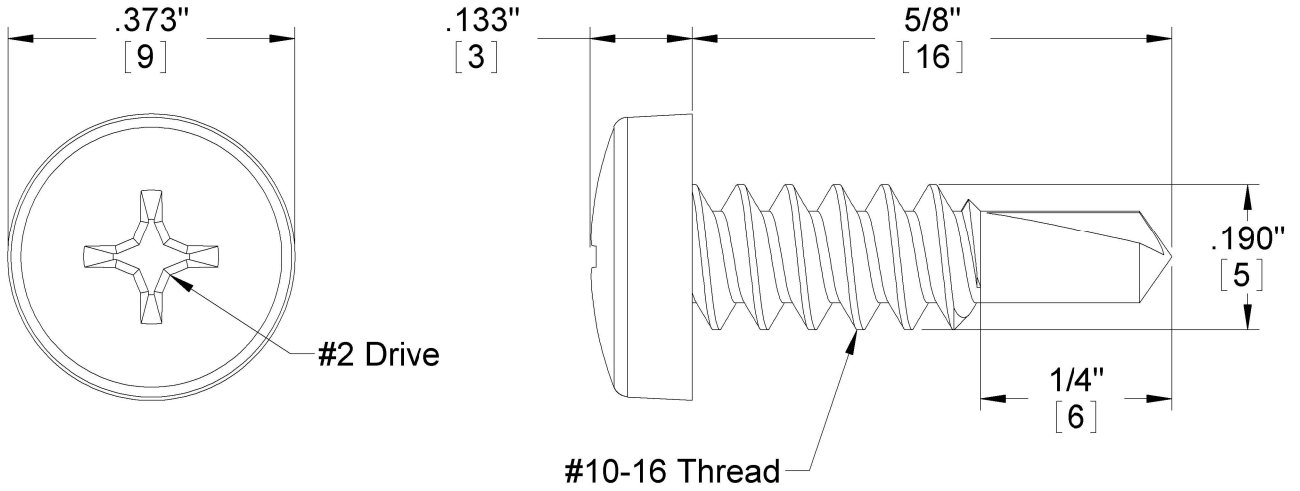
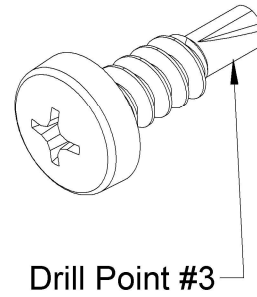
			DIMENSIONS ARE IN INCHES TOLERANCES: FRACTIONAL ± ANGULAR: MACH ± BEND ± TWO PLACE DECIMAL ± THREE PLACE DECIMAL ±		NAME	DATE
					TRASER DESIGN INC.	
					CHECKED	
					ENG APPR.	
					MFG APPR.	
					Q.A.	
					COMMENTS:	
			MATERIAL 410 STAINLESS STEEL			
			FINISH COATED BLACK			
NEXT ASSY	USED ON					
APPLICATION			DO NOT SCALE DRAWING			



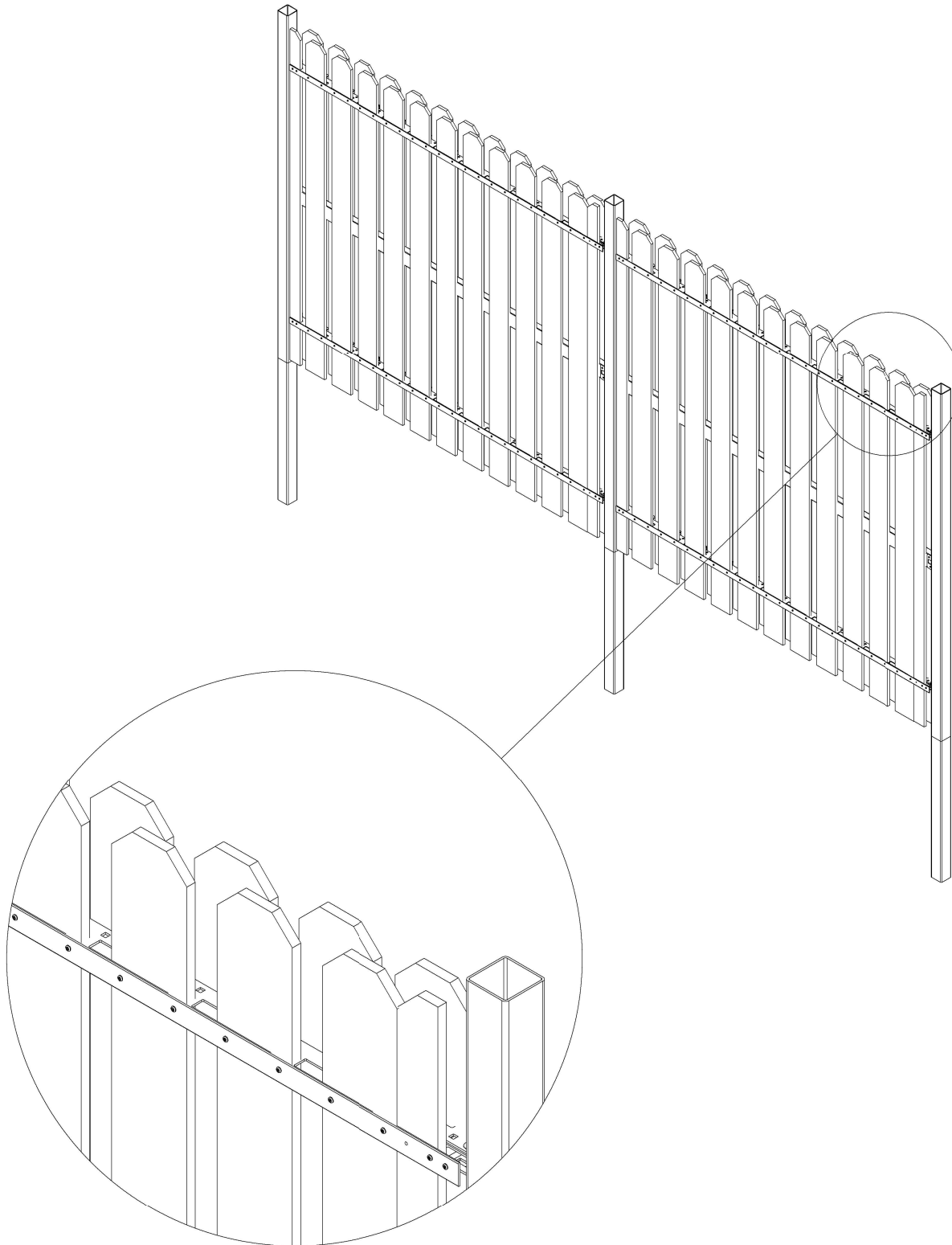
Tahoe Products Group Inc.  
Oakville, ON  
Phone: 1-866-336-2340  
WWW.SLIPFENCE.COM

5/16-18 Serrated Hex Flange  
Locknuts / 410 Stainless Steel


SIZE	DWG. NO.	REV.
<b>A</b>	TSF-7FT-RES-VERT-SPEC	
SCALE:3:1	WEIGHT:	SHEET 10 OF 12



<p><b>PROPRIETARY AND CONFIDENTIAL</b></p> <p>THE INFORMATION CONTAINED IN THIS DRAWING IS THE SOLE PROPERTY OF TAHOE SLIPFENCE. ANY REPRODUCTION IN PART OR AS A WHOLE WITHOUT THE WRITTEN PERMISSION OF TAHOE SLIPFENCE IS PROHIBITED.</p>			<p>DIMENSIONS ARE IN INCHES TOLERANCES: FRACTIONAL ± ANGULAR: MACH ± BEND ± TWO PLACE DECIMAL ± THREE PLACE DECIMAL ±</p>		NAME	DATE	<p>Tahoe Products Group Inc. Oakville, ON Phone: 1-866-335-2340 WWW.SLIPFENCE.COM</p>	
					DRAWN	TRASER DESIGN INC.		
					CHECKED			
					ENG APPR.			
					MFG APPR.			
				Q.A.				
				COMMENTS:				
			MATERIAL				<p># 10 x 5/8" Self-Drilling Screws / #2 Phillips / Pan Head / 410 Stainless Steel</p>	
			410 STAINLESS STEEL					
			FINISH					
			COATED BLACK	SIZE	DWG. NO.	REV.		
	NEXT ASSY	USED ON	APPLICATION	<p><b>A</b> TSF-7FT-RES-VERT-SPEC</p>				
			DO NOT SCALE DRAWING	SCALE:4:1	WEIGHT:	SHEET 11 OF 12		



DETAIL C  
SCALE 1 : 8

<p><b>PROPRIETARY AND CONFIDENTIAL</b></p> <p>THE INFORMATION CONTAINED IN THIS DRAWING IS THE SOLE PROPERTY OF TAHOE SLIPFENCE. ANY REPRODUCTION IN PART OR AS A WHOLE WITHOUT THE WRITTEN PERMISSION OF TAHOE SLIPFENCE IS PROHIBITED.</p>			<p>DIMENSIONS ARE IN INCHES TOLERANCES: FRACTIONAL ± ANGULAR: MACH ± BEND ± TWO PLACE DECIMAL ± THREE PLACE DECIMAL ±</p>		NAME	DATE		<p>Tahoe Products Group Inc. Oakville, ON Phone: 1-866-336-2340 WWW.SLIPFENCE.COM</p>	
					DRAWN	TRASER DESIGN INC.			
					CHECKED				
					ENG APPR.				
					MFG APPR.				
			MATERIAL	-	Q.A.				
			FINISH	-	COMMENTS:				
	NEXT ASSY	USED ON							
	APPLICATION		DO NOT SCALE DRAWING						

SIZE	DWG. NO.	REV.
<b>A</b>	<b>TSF-7FT-RES-VERT-SPEC</b>	
SCALE:1:192	WEIGHT:	SHEET 12 OF 12