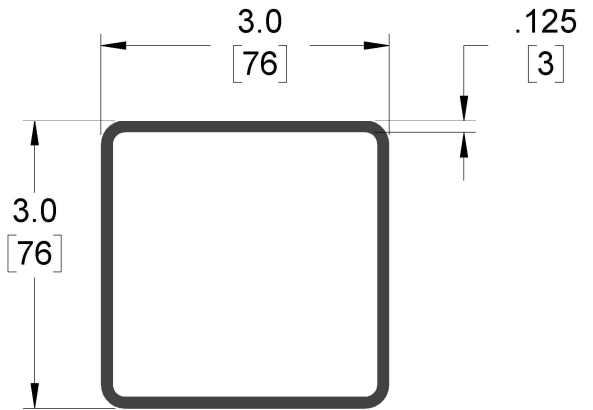
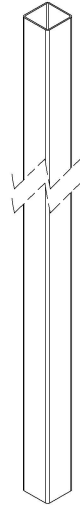
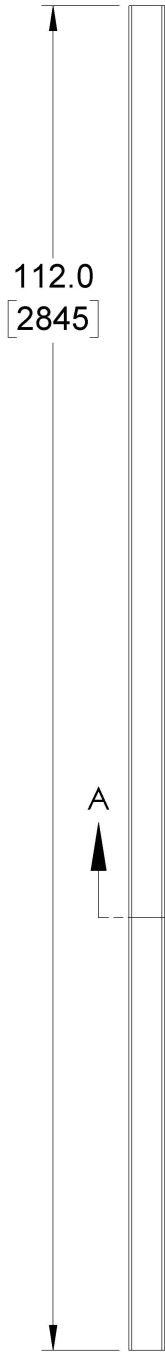


DETAIL B
SCALE 1 : 10

| ITEM NO. | PART NUMBER | MATERIAL | QTY. |
|----------|---|---|------|
| 1 | BOARD CUT-72 | 72" X 5/8" X 2.75" WOOD PICKETS | 4 |
| 2 | BOARD FULL-72 | 72" X 5/8" X 5.5" | 46 |
| 3 | POST = 3" X 3" X 112" L | 6005A ALUMINUM 1/8" WALL, POWDER COATED BLACK | 3 |
| 4 | 410 STAINLESS STEEL SELF DRILLING SCREW, #10 X 5/8" PAN HEAD WITH #2 PHILLIPS DRIVE HEAD | 410 STAINLESS STEEL | 16 |
| 5 | 410 STAINLESS STEEL COATED BLACK, 5/16" X 1.75", SQUARE NECK CARRIAGE BOLT | 410 STAINLESS STEEL | 8 |
| 6 | 410 STAINLESS STEEL WOOD SCREW COATED BLACK MAGNI, #8 X 3/4", PAN HEAD WITH #2 PHILLIPS DRIVE | 410 STAINLESS STEEL | 212 |
| 7 | V-BRACKET | ALUMINUM 1/8" WALL, POWDER COATED BLACK | 8 |
| 8 | VERTICAL STRINGER-92" X 3" X 1.5" | 6061 ALUMINUM 1/8" WALL, POWDER COATED BLACK | 4 |
| 9 | HEXAGON FLANGE NUT ISO - 4161 - M8 - N | | 8 |

| | | | | | | |
|--|-------------|----------|---|-----------|-----------------------|---|
| <p>PROPRIETARY AND CONFIDENTIAL</p> <p>THE INFORMATION CONTAINED IN THIS DRAWING IS THE SOLE PROPERTY OF TAHOE SLIPFENCE. ANY REPRODUCTION IN PART OR AS A WHOLE WITHOUT THE WRITTEN PERMISSION OF TAHOE SLIPFENCE IS PROHIBITED.</p> | | | <p>DIMENSIONS ARE IN INCHES TOLERANCES: FRACTIONAL ± ANGULAR: MACH ± BEND ± TWO PLACE DECIMAL ± THREE PLACE DECIMAL ±</p> | NAME | DATE | <p>Tahoe Products Group Inc. Oakville, ON Phone: 1-866-336-2340 WWW.SLIPFENCE.COM</p> |
| | | | | DRAWN | TRASER DESIGN INC. | |
| | | | | CHECKED | | |
| | | | | ENG APPR. | | |
| | | | | MFG APPR. | | |
| | | MATERIAL | - | Q.A. | | <p>COMMENTS:</p> <p style="text-align: center;">-</p> |
| | | FINISH | - | | | |
| NEXT ASSY | USED ON | | | | | |
| | APPLICATION | | DO NOT SCALE DRAWING | | | <p>SIZE DWG. NO. A TSF-6FT-RES-VERT-SPEC</p> <p>SCALE:1:50 WEIGHT: SHEET 1 OF 11</p> |



SECTION A-A
SCALE 1 : 2

PROPRIETARY AND CONFIDENTIAL
THE INFORMATION CONTAINED IN THIS DRAWING IS THE SOLE PROPERTY OF TAHOE SLIPFENCE. ANY REPRODUCTION IN PART OR AS A WHOLE WITHOUT THE WRITTEN PERMISSION OF TAHOE SLIPFENCE IS PROHIBITED.

| | | |
|-------------|---------|---|
| | | DIMENSIONS ARE IN INCHES TOLERANCES: FRACTIONAL ± ANGULAR: MACH ± BEND ± TWO PLACE DECIMAL ± THREE PLACE DECIMAL ± |
| | | |
| | | |
| | | |
| | | MATERIAL 6005A ALUMINUM 1/8" WALL, POWDER COATED BLACK |
| NEXT ASSY | USED ON | FINISH 2604 SUPER DURABLE POWDER COATING |
| APPLICATION | | DO NOT SCALE DRAWING |

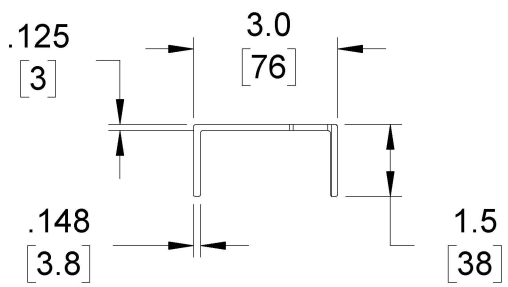
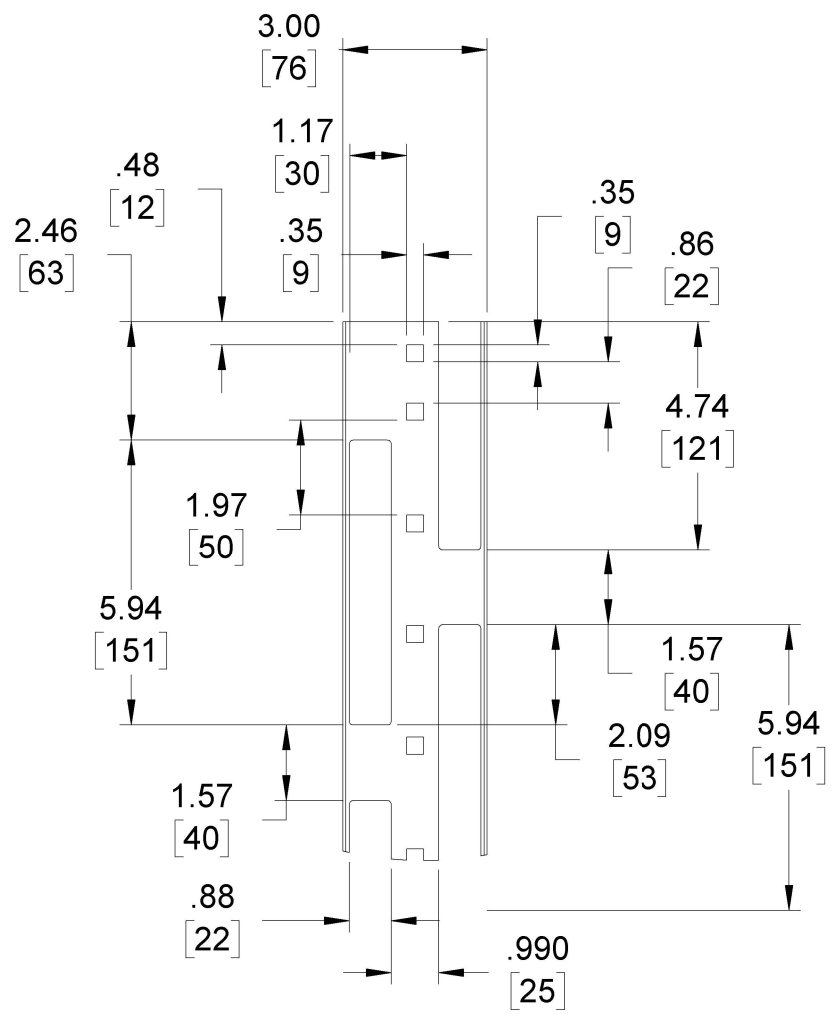
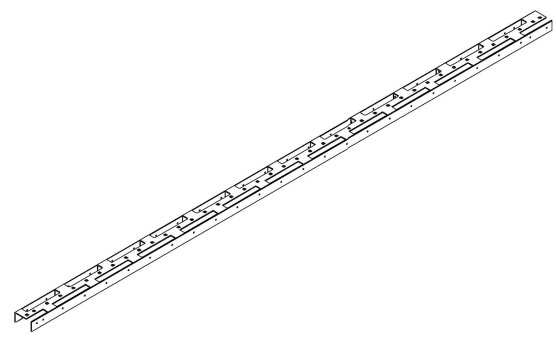
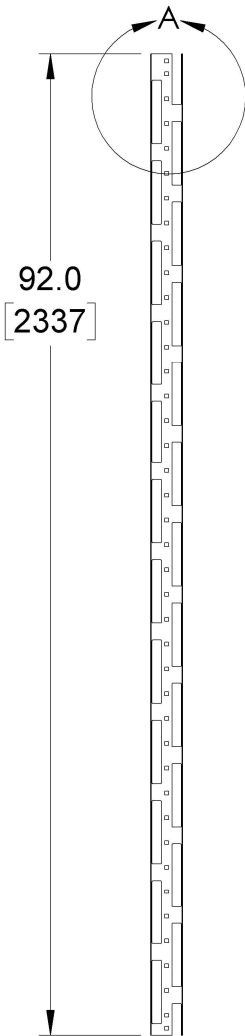
| | | |
|-----------|--------------------|------|
| | NAME | DATE |
| DRAWN | TRASER DESIGN INC. | |
| CHECKED | | |
| ENG APPR. | | |
| MFG APPR. | | |
| Q.A. | | |
| COMMENTS: | | |

Tahoe Products Group Inc.
Oakville, ON
Phone: 1-866-336-2340
WWW.SLIPFENCE.COM

SLIPFENCE

3" VERTICAL POST

| | | |
|-------------|------------------------------|---------------|
| SIZE | DWG. NO. | REV. |
| A | TSF-6FT-RES-VERT-SPEC | |
| SCALE: 1:32 | WEIGHT: | SHEET 2 OF 11 |



DETAIL A
SCALE 1 : 4

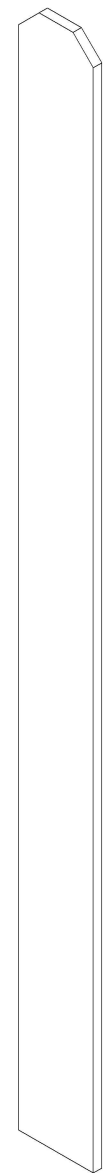
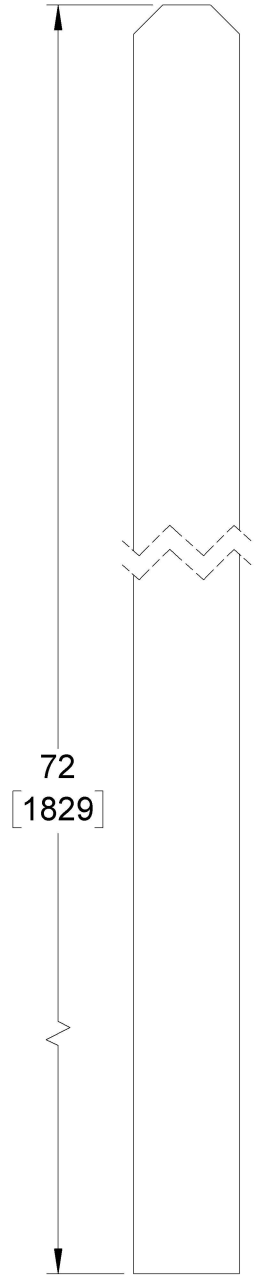
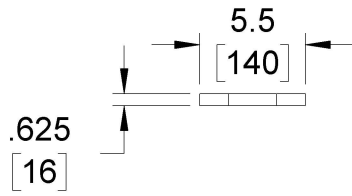
PROPRIETARY AND CONFIDENTIAL
THE INFORMATION CONTAINED IN THIS DRAWING IS THE SOLE PROPERTY OF TAHOE SLIPFENCE. ANY REPRODUCTION IN PART OR AS A WHOLE WITHOUT THE WRITTEN PERMISSION OF TAHOE SLIPFENCE IS PROHIBITED.

| | | | | | |
|-------------|---------|---|--|-----------------------|------|
| | | DIMENSIONS ARE IN INCHES TOLERANCES: FRACTIONAL ± ANGULAR: MACH ± BEND ± TWO PLACE DECIMAL ± THREE PLACE DECIMAL ± | | NAME | DATE |
| | | | | TRASER DESIGN INC. | |
| | | | | CHECKED | |
| | | | | ENG APPR. | |
| | | | | MFG APPR. | |
| | | | | Q.A. | |
| | | | | COMMENTS: | |
| | | MATERIAL 6061 ALUMINUM 1/8" WALL POWDER COATED BLACK | | | |
| | | FINISH 2604 SUPER DURABLE POWDER COATING | | | |
| NEXT ASSY | USED ON | | | | |
| APPLICATION | | DO NOT SCALE DRAWING | | | |

SLIPFENCE Tahoe Products Group Inc.
Oakville, ON
Phone: 1-866-336-2340
WWW.SLIPFENCE.COM

STRINGER 92"

| | | |
|-------------|------------------------------|---------------|
| SIZE | DWG. NO. | REV. |
| A | TSF-6FT-RES-VERT-SPEC | |
| SCALE: 1:18 | WEIGHT: | SHEET 3 OF 11 |



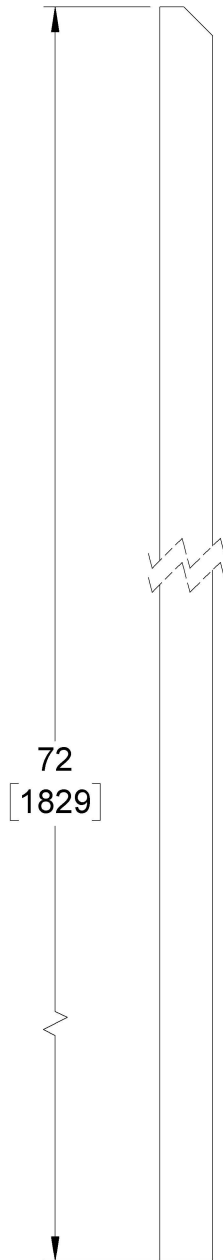
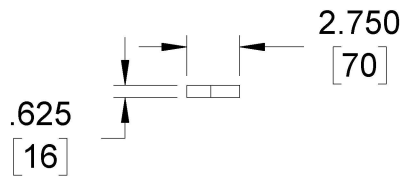
PROPRIETARY AND CONFIDENTIAL
 THE INFORMATION CONTAINED IN THIS DRAWING IS THE SOLE PROPERTY OF TAHOE SLIPFENCE. ANY REPRODUCTION IN PART OR AS A WHOLE WITHOUT THE WRITTEN PERMISSION OF TAHOE SLIPFENCE IS PROHIBITED.

| | | | | | |
|-------------|---------|---|------------------------|--------------------|------|
| | | DIMENSIONS ARE IN INCHES TOLERANCES: FRACTIONAL ± ANGULAR: MACH ± BEND ± TWO PLACE DECIMAL ± THREE PLACE DECIMAL ± | | NAME | DATE |
| | | | DRAWN | TRASER DESIGN INC. | |
| | | | CHECKED | | |
| | | | ENG APPR. | | |
| | | | | MFG APPR. | |
| | | | | Q.A. | |
| | | | | COMMENTS: | |
| NEXT ASSY | USED ON | MATERIAL | 72" X 5/8" X 5.5" WOOD | | |
| | | FINISH | | | |
| APPLICATION | | DO NOT SCALE DRAWING | | | |

Tahoe Products Group Inc.
 Oakville, ON
 Phone: 1-866-336-2340
 WWW.SLIPFENCE.COM

FULL BOARD, 72"

| | | |
|-------------|------------------------------|---------------|
| SIZE | DWG. NO. | REV. |
| A | TSF-6FT-RES-VERT-SPEC | |
| SCALE: 1:10 | WEIGHT: | SHEET 4 OF 11 |



PROPRIETARY AND CONFIDENTIAL

THE INFORMATION CONTAINED IN THIS DRAWING IS THE SOLE PROPERTY OF TAHOE SLIPFENCE. ANY REPRODUCTION IN PART OR AS A WHOLE WITHOUT THE WRITTEN PERMISSION OF TAHOE SLIPFENCE IS PROHIBITED.

| | | |
|-------------|---------|---|
| | | DIMENSIONS ARE IN INCHES TOLERANCES: FRACTIONAL ± ANGULAR: MACH ± BEND ± TWO PLACE DECIMAL ± THREE PLACE DECIMAL ± |
| | | MATERIAL 72" X 5/8" X 2.75" WOOD PICKETS |
| NEXT ASSY | USED ON | FINISH |
| APPLICATION | | DO NOT SCALE DRAWING |

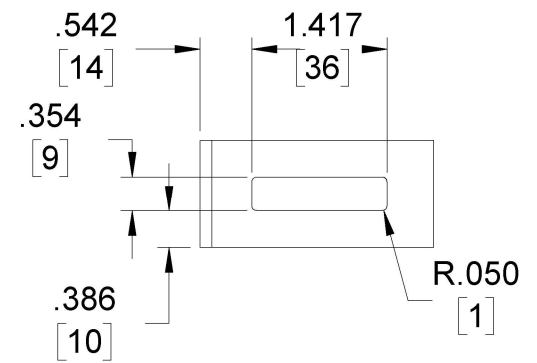
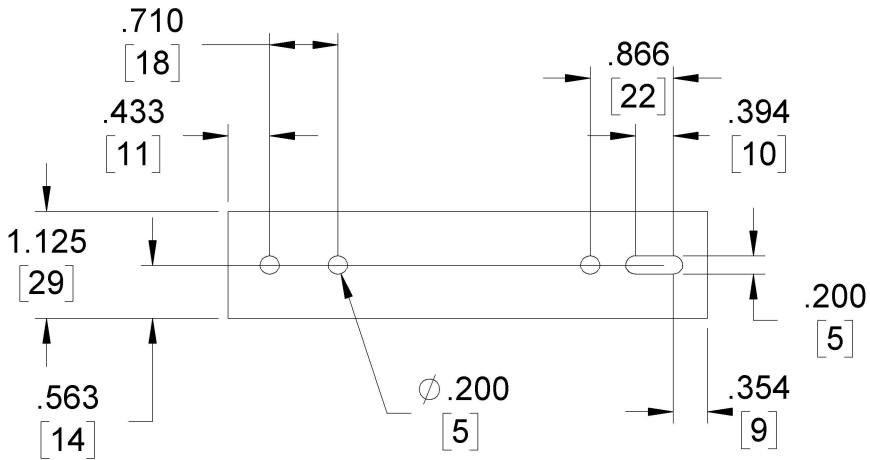
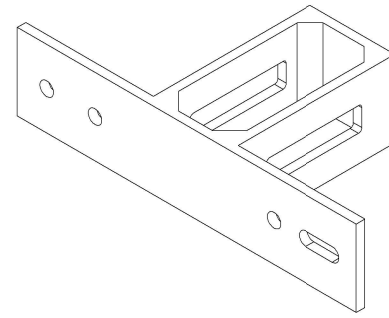
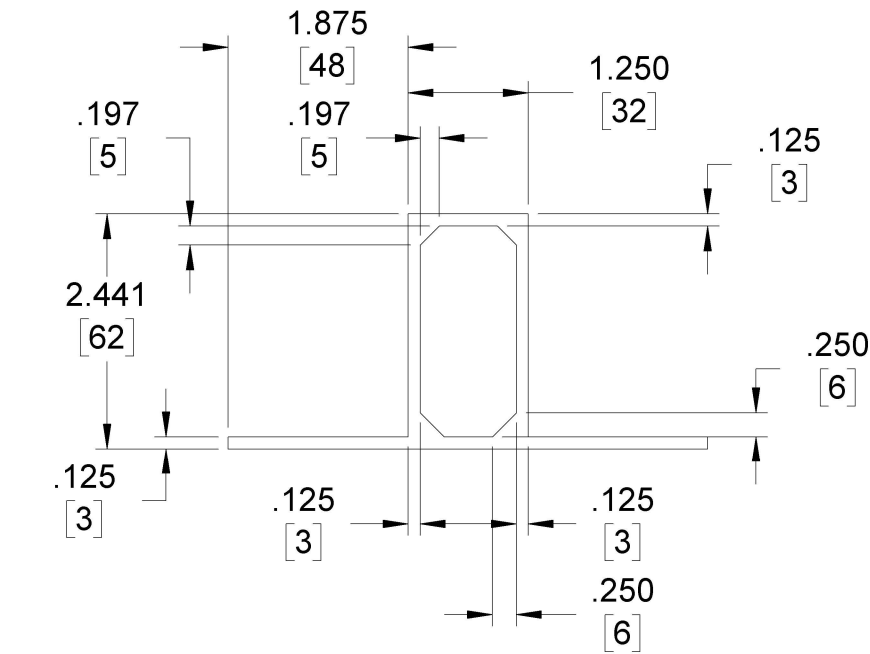
| | | |
|-----------|--------------------|------|
| | NAME | DATE |
| DRAWN | TRASER DESIGN INC. | |
| CHECKED | | |
| ENG APPR. | | |
| MFG APPR. | | |
| Q.A. | | |
| COMMENTS: | | |

Tahoe Products Group Inc.
Oakville, ON
Phone: 1-866-336-2340
WWW.SLIPFENCE.COM

SLIPFENCE

BOARD CUT, 72"

| | | |
|-------------|------------------------------|---------------|
| SIZE | DWG. NO. | REV. |
| A | TSF-6FT-RES-VERT-SPEC | |
| SCALE: 1:10 | WEIGHT: | SHEET 5 OF 11 |



DIE # AH-73733, DWG # F1446
 QV004, ALLOY 6061-T6
 CUS CODE: F1446

PROPRIETARY AND CONFIDENTIAL
 THE INFORMATION CONTAINED IN THIS DRAWING IS THE SOLE PROPERTY OF TAHOE SLIPFENCE. ANY REPRODUCTION IN PART OR AS A WHOLE WITHOUT THE WRITTEN PERMISSION OF TAHOE SLIPFENCE IS PROHIBITED.

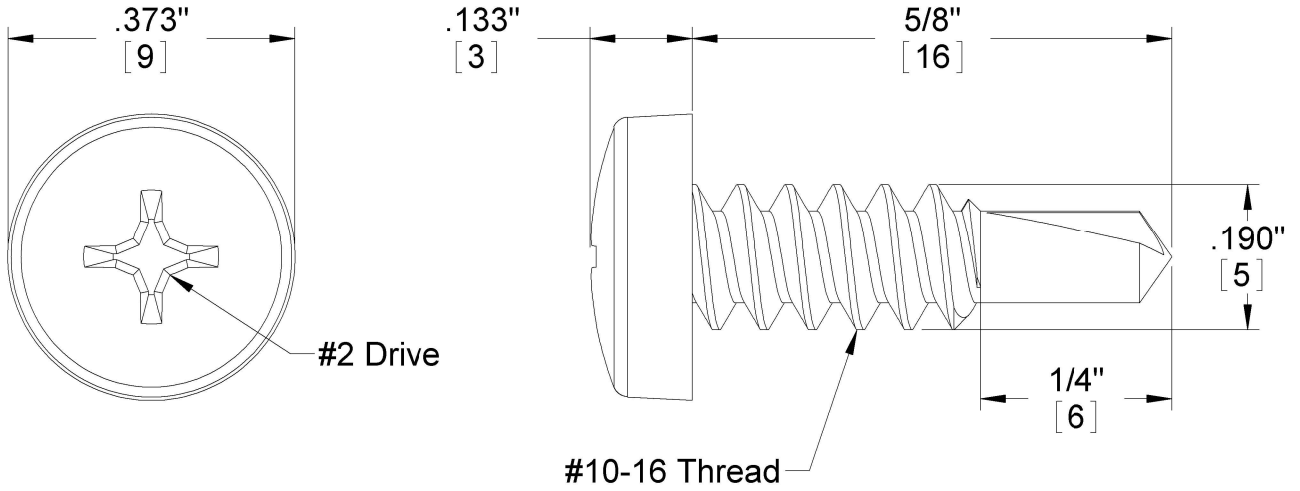
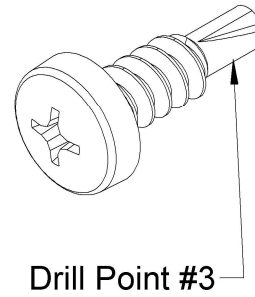
| | | | | | |
|-------------|---------|---|--|-----------------------|------|
| | | DIMENSIONS ARE IN INCHES TOLERANCES: FRACTIONAL ± ANGULAR: MACH ± BEND ± TWO PLACE DECIMAL ± THREE PLACE DECIMAL ± | | NAME | DATE |
| | | | | TRASER DESIGN INC. | |
| | | | | CHECKED | |
| | | | | ENG APPR. | |
| | | | | MFG APPR. | |
| | | | | Q.A. | |
| | | | | COMMENTS: | |
| | | MATERIAL ALUMINUM 1/8" WALL, POWDER COATED BLACK | | | |
| | | FINISH POWDER COAT BLACK | | | |
| NEXT ASSY | USED ON | | | | |
| APPLICATION | | DO NOT SCALE DRAWING | | | |




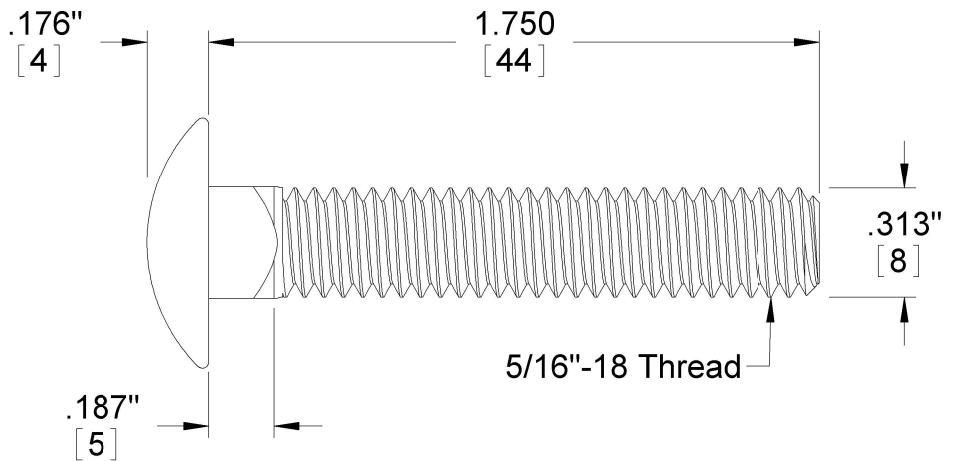
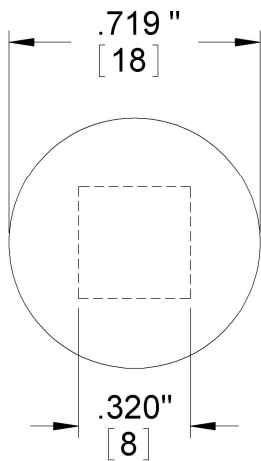
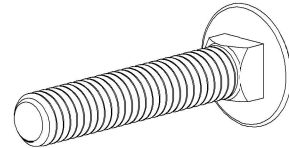
Tahoe Products Group Inc.
 Oakville, ON
 Phone: 1-866-336-2340
 WWW.SLIPFENCE.COM

U-BRACKET

| | | |
|-----------|-----------------------|---------------|
| SIZE | DWG. NO. | REV. |
| A | TSF-6FT-RES-VERT-SPEC | |
| SCALE:1:2 | WEIGHT: | SHEET 6 OF 11 |



| | | | | | | | | |
|--|-----------|---------|---|-----------|-----------|------------------------------|---|--|
| <p>PROPRIETARY AND CONFIDENTIAL</p> <p>THE INFORMATION CONTAINED IN THIS DRAWING IS THE SOLE PROPERTY OF TAHOE SLIPFENCE. ANY REPRODUCTION IN PART OR AS A WHOLE WITHOUT THE WRITTEN PERMISSION OF TAHOE SLIPFENCE IS PROHIBITED.</p> | | | <p>DIMENSIONS ARE IN INCHES TOLERANCES: FRACTIONAL ± ANGULAR: MACH ± BEND ± TWO PLACE DECIMAL ± THREE PLACE DECIMAL ±</p> | | NAME | DATE |  <p>Tahoe Products Group Inc. Oakville, ON Phone: 1-866-335-2340 WWW.SLIPFENCE.COM</p> | |
| | | | | | DRAWN | TRASER DESIGN INC. | | |
| | | | | | CHECKED | | | |
| | | | | | ENG APPR. | | | |
| | | | | | MFG APPR. | | | |
| | | | | Q.A. | | | | |
| | | | | COMMENTS: | | | | |
| | | | MATERIAL | | | | <p># 10 x 5/8" Self-Drilling Screws / #2 Phillips / Pan Head / 410 Stainless Steel</p> | |
| | | | 410 STAINLESS STEEL | | | | | |
| | | | FINISH | | | | | |
| | | | COATED BLACK | | | | | |
| | NEXT ASSY | USED ON | | | SIZE | DWG. NO. | REV. | |
| | | | APPLICATION | | A | TSF-6FT-RES-VERT-SPEC | | |
| | | | DO NOT SCALE DRAWING | | SCALE:4:1 | WEIGHT: | SHEET 7 OF 11 | |



PROPRIETARY AND CONFIDENTIAL
 THE INFORMATION CONTAINED IN THIS DRAWING IS THE SOLE PROPERTY OF TAHOE SLIPFENCE. ANY REPRODUCTION IN PART OR AS A WHOLE WITHOUT THE WRITTEN PERMISSION OF TAHOE SLIPFENCE IS PROHIBITED.

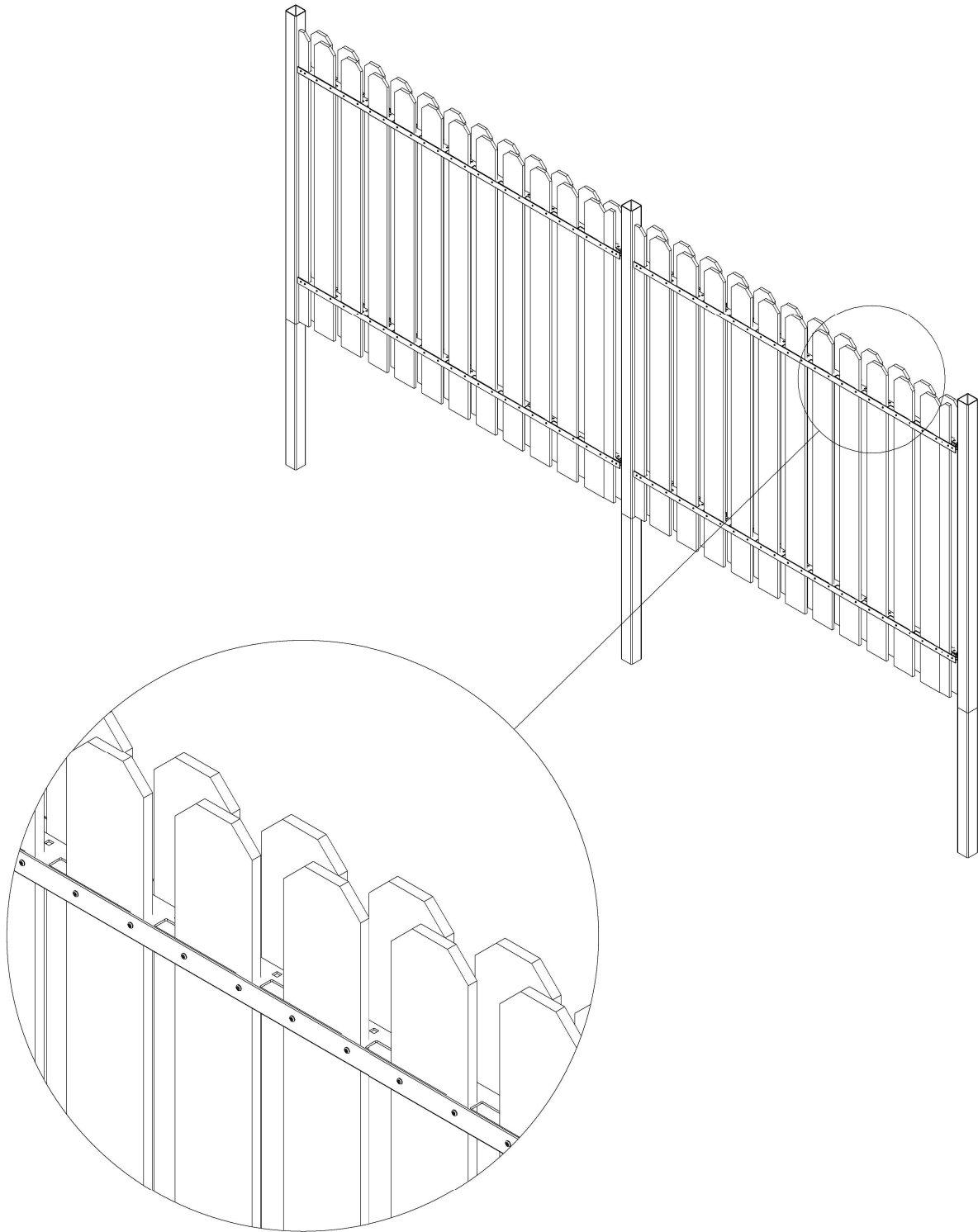
| | | | | | |
|-------------|---------|---|-----------|-----------------------|------|
| | | DIMENSIONS ARE IN INCHES TOLERANCES: FRACTIONAL ± ANGULAR: MACH ± BEND ± TWO PLACE DECIMAL ± THREE PLACE DECIMAL ± | DRAWN | TRASER DESIGN INC. | DATE |
| | | | CHECKED | | |
| | | | ENG APPR. | | |
| | | | MFG APPR. | | |
| | | MATERIAL | Q.A. | | |
| | | 410 STAINLESS STEEL | COMMENTS: | | |
| NEXT ASSY | USED ON | FINISH | | | |
| | | COATED BLACK | | | |
| APPLICATION | | DO NOT SCALE DRAWING | | | |



Tahoe Products Group Inc.
 Oakville, ON
 Phone: 1-866-335-2340
 WWW.SLIPFENCE.COM

5/16-18 x 1 3/4" Carriage Bolts
 / 410 Stainless Steel

| | | |
|---------------|-----------------------|---------------|
| SIZE | DWG. NO. | REV. |
| A | TSF-6FT-RES-VERT-SPEC | |
| SCALE: 1:0.55 | WEIGHT: | SHEET 9 OF 11 |



DETAIL C
SCALE 1 : 8

| | | | | | |
|-------------|---------|---|-----------|-----------------------|------|
| | | DIMENSIONS ARE IN INCHES TOLERANCES: FRACTIONAL ± ANGULAR: MACH ± BEND ± TWO PLACE DECIMAL ± THREE PLACE DECIMAL ± | | NAME | DATE |
| | | | DRAWN | TRASER DESIGN INC. | |
| | | | CHECKED | | |
| | | | ENG APPR. | | |
| | | | MFG APPR. | | |
| | | | Q.A. | | |
| | | | COMMENTS: | | |
| | | MATERIAL | | | |
| | | FINISH | | | |
| NEXT ASSY | USED ON | | | | |
| APPLICATION | | DO NOT SCALE DRAWING | | | |



Tahoe Products Group Inc.
Oakville, ON
Phone: 1-866-336-2340
WWW.SLIPFENCE.COM

PROPRIETARY AND CONFIDENTIAL

THE INFORMATION CONTAINED IN THIS DRAWING IS THE SOLE PROPERTY OF TAHOE SLIPFENCE. ANY REPRODUCTION IN PART OR AS A WHOLE WITHOUT THE WRITTEN PERMISSION OF TAHOE SLIPFENCE IS PROHIBITED.

| | | |
|-------------|-----------------------|----------------|
| SIZE | DWG. NO. | REV. |
| A | TSF-6FT-RES-VERT-SPEC | |
| SCALE:1:192 | WEIGHT: | SHEET 11 OF 11 |